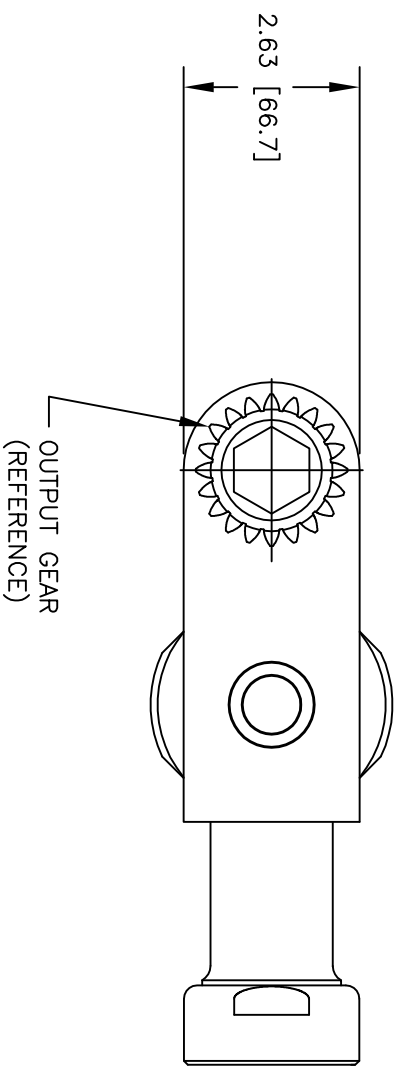
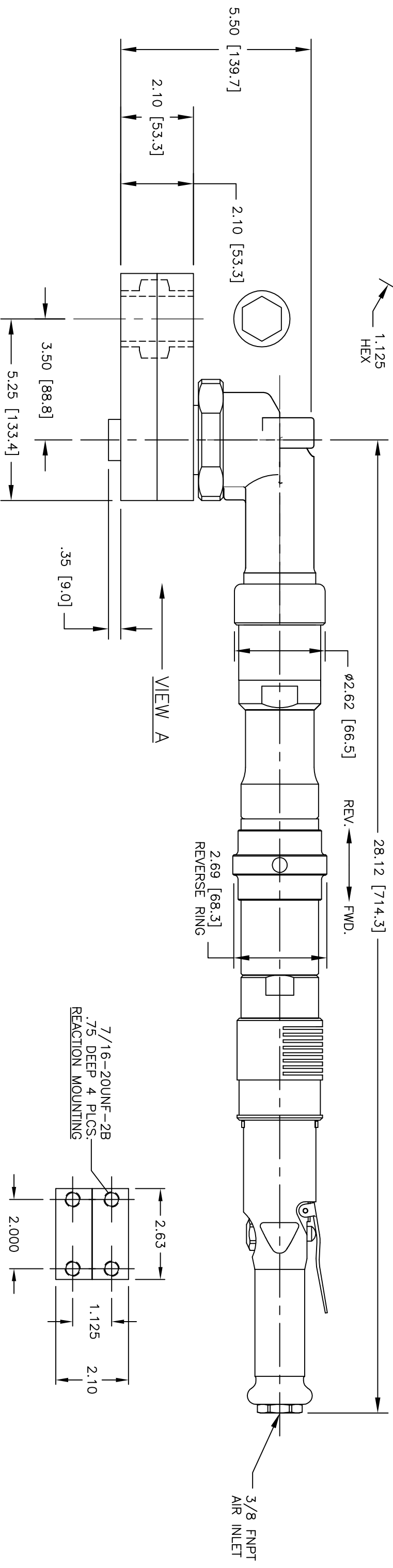
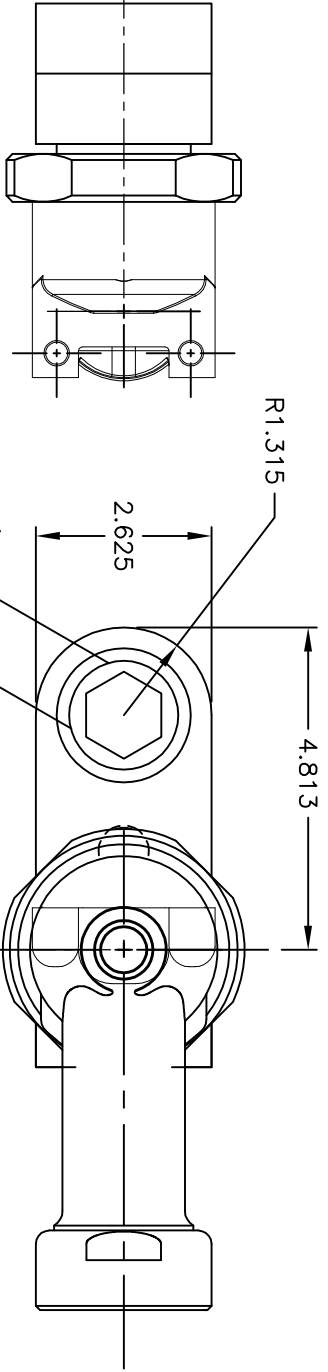


REV.	E.C.N.	DESCRIPTION	BY	APVD	DATE
------	--------	-------------	----	------	------



THE MATERIALS AND DESIGN PRINCIPLES PRESENTED IN THIS DRAWING ARE THE EXCLUSIVE PROPERTY OF AMERICAN ASSEMBLY TOOLS, INC. (AAT) AND IS CONFIDENTIAL INFORMATION. THIS INFORMATION IS GIVEN TO YOU FOR YOUR USE IN THE REPAIR AND MAINTENANCE OF OUR PRODUCT, OR IN THE MANUFACTURE OF COMPONENT PARTS FOR THE SAME. THIS DRAWING MAY NOT BE COPIED OR LOANED IN PART, OR IN WHOLE, NOR IS THIS INFORMATION TO BE RELAYED TO ANY OTHER INDIVIDUAL OR COMPANY OUTSIDE YOUR ORGANIZATION. ACCEPTANCE OF THIS DRAWING WILL BE CONSTRUED AS ACCEPTANCE OF THE ABOVE CONDITIONS.

MATERIAL:

HT TREAT:

FINISH:

UNLESS OTHERWISE SPECIFIED

1. MACHINED SURFACES TO BE $\pm .015$
2. DIAMETERS ON A COMMON $\pm .010$
3. FACES TO BE SQUARE WITHIN .001 TOTAL CDN A 1/2 IN. RADIUS
4. FILLET RADI TO BE .015
5. BRK. ALL SHARP CORNERS
6. CHAM. ALL THREADS ENDING AT EDGES & UNCUTS 45°

TOLERANCES:
DECIMAL .XX ± .010
DECIMAL .XXX ± .005
ANGULAR ± 1/2°

TITLE
3 SERIES REVERSIBLE FLAT ANGLE UP TO 550NM

AMERICAN ASSEMBLY TOOLS, INC.
Cleveland, Ohio 44128

APPROVED	DATE
DRAWN: D. CLINE	9/10/08
CHKD:	
APPD:	
REL:	

DRWG SIZE B **PART NO.** ARS3FA-M417 **REV LTR**

SCALE 1=3 **WGHT** LB **SHEET** 1 OF 1