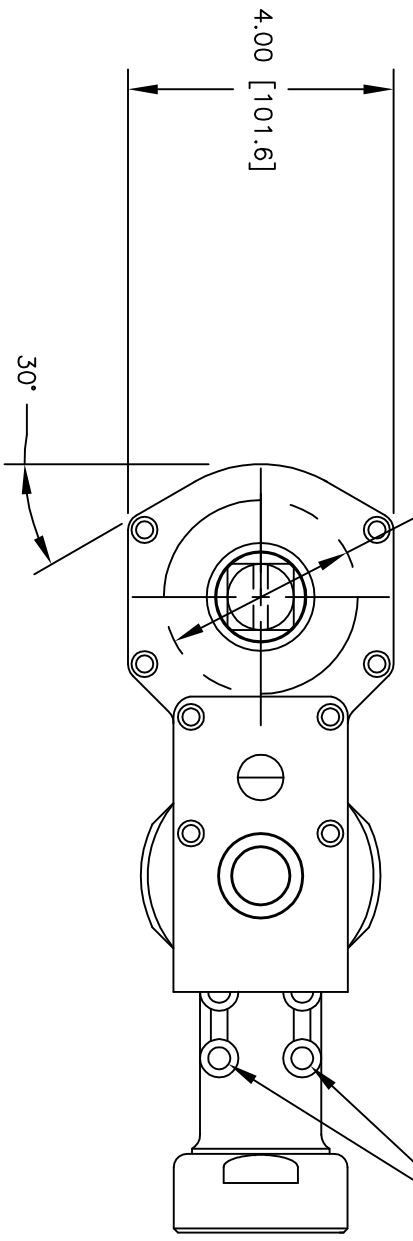
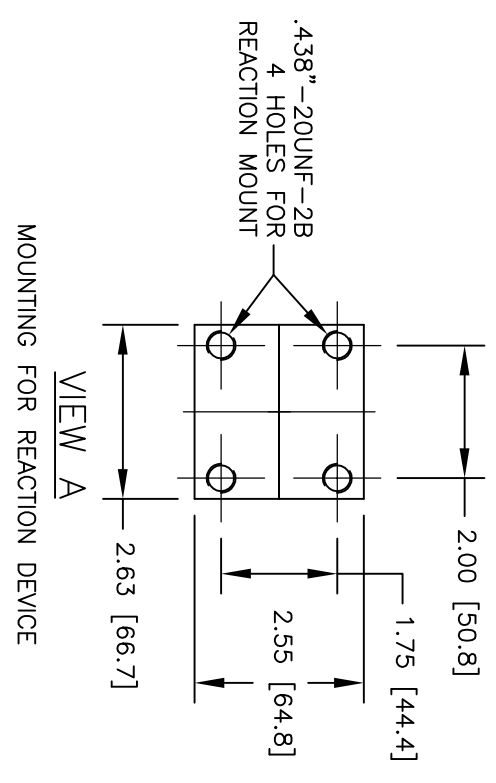
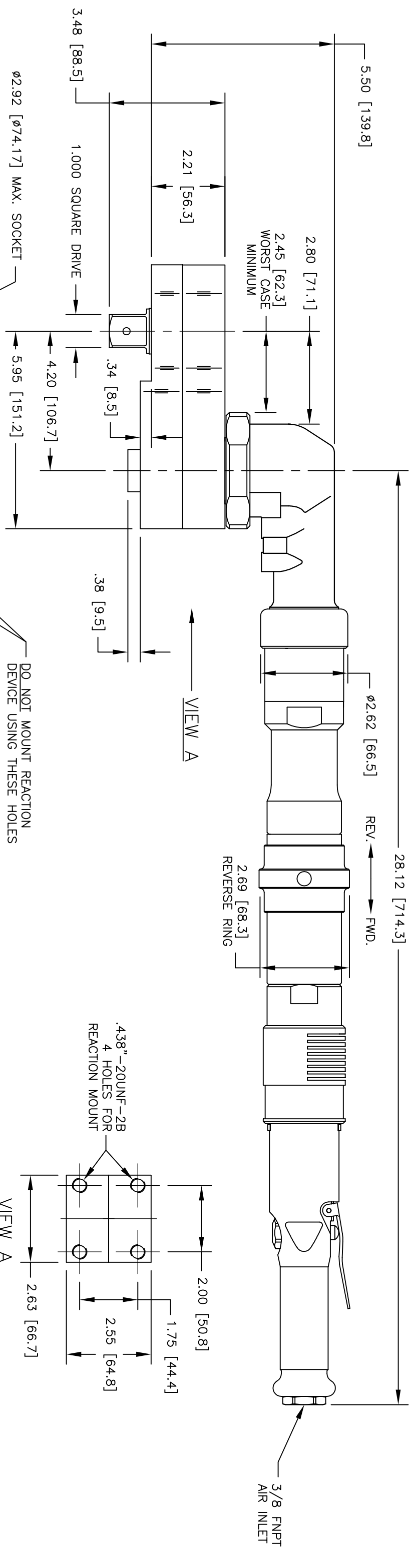
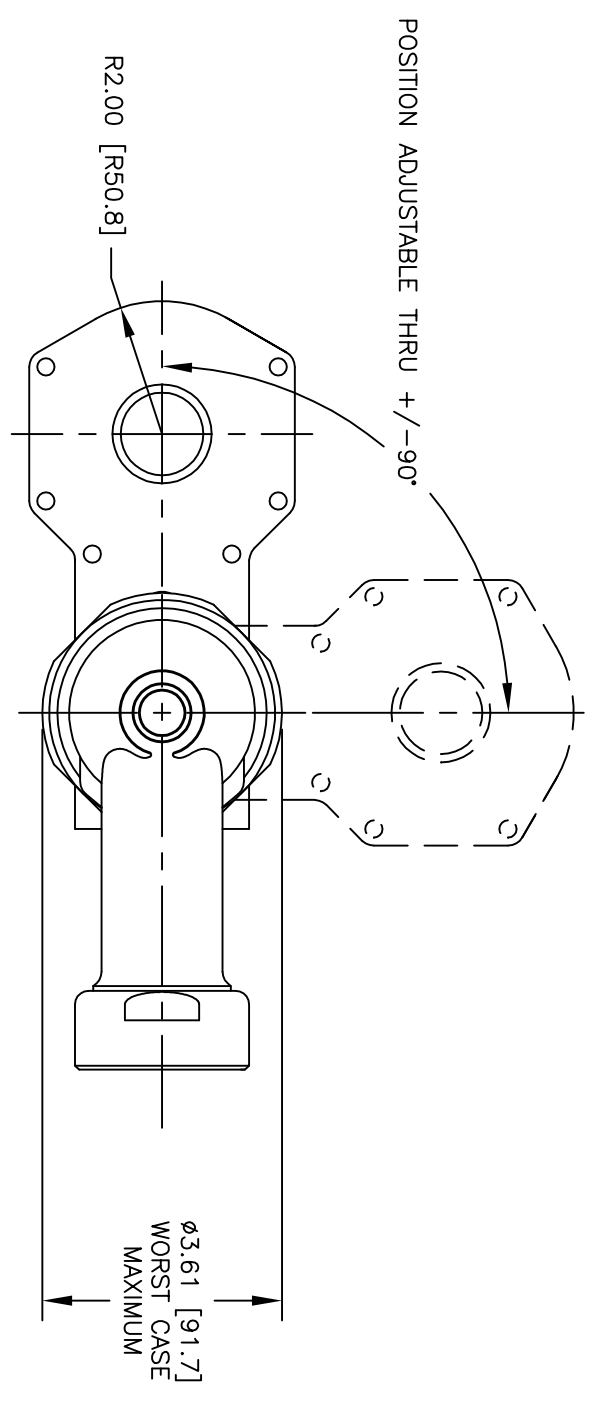


REV.	E.C.N.	DESCRIPTION	BY	APVD	DATE
------	--------	-------------	----	------	------



THE MATERIALS AND DESIGN PRINCIPLES PRESENTED ON THIS DRAWING ARE THE EXCLUSIVE PROPERTY OF AMERICAN ASSEMBLY TOOLS, INC. (AAT) AND IS CONFIDENTIAL INFORMATION. THIS INFORMATION IS GIVEN TO YOU FOR YOUR USE IN THE REPAIR AND MAINTENANCE OF OUR PRODUCT OR IN THE MANUFACTURE OF COMPONENT PARTS FOR THE SINGLE USE OF AAT. THIS DRAWING MAY NOT BE COPIED OR LOANED IN PART OR IN WHOLE, NOR IS THIS INFORMATION TO BE RELAYED TO ANY OTHER INDIVIDUAL OR COMPANY OUTSIDE YOUR ORGANIZATION. ACCEPTANCE OF THIS DRAWING WILL BE CONSIDERED AS ACCEPTANCE OF THE ABOVE CONDITIONS.

MATERIAL:	
HT TREAT:	
FINISH:	
UNLESS OTHERWISE SPECIFIED	
1. MACHINED SURFACES TO BE Ra .015	5. BRK. ALL SHARP CORNERS
2. DIAMETERS ON A COMMON G TO BE $\text{IT}9$	6. CHAM. ALL THREADS ENDING AT EDGES & CUTS 45°
3. FACES TO BE SQUARE WITHIN .001 TOTAL (DN A 1/2 IN. RADIUS)	TOLERANCES: DECIMAL .XX \pm .010 DECIMAL .XXX \pm .005 ANGULAR \pm 1/2°
4. FILLET RADIUS TO BE .015	

AMERICAN ASSEMBLY TOOLS, INC.
Cleveland, Ohio 44128

TITLE
3 SERIES REVERSIBLE FLAT ANGLE
750Nm to 1360Nm.

DRWG SIZE B **PART NO.** ARS3FA-M1360 **REV LTR**

SCALE 1=3 **WGHT** LB **SHEET** 1 OF 1