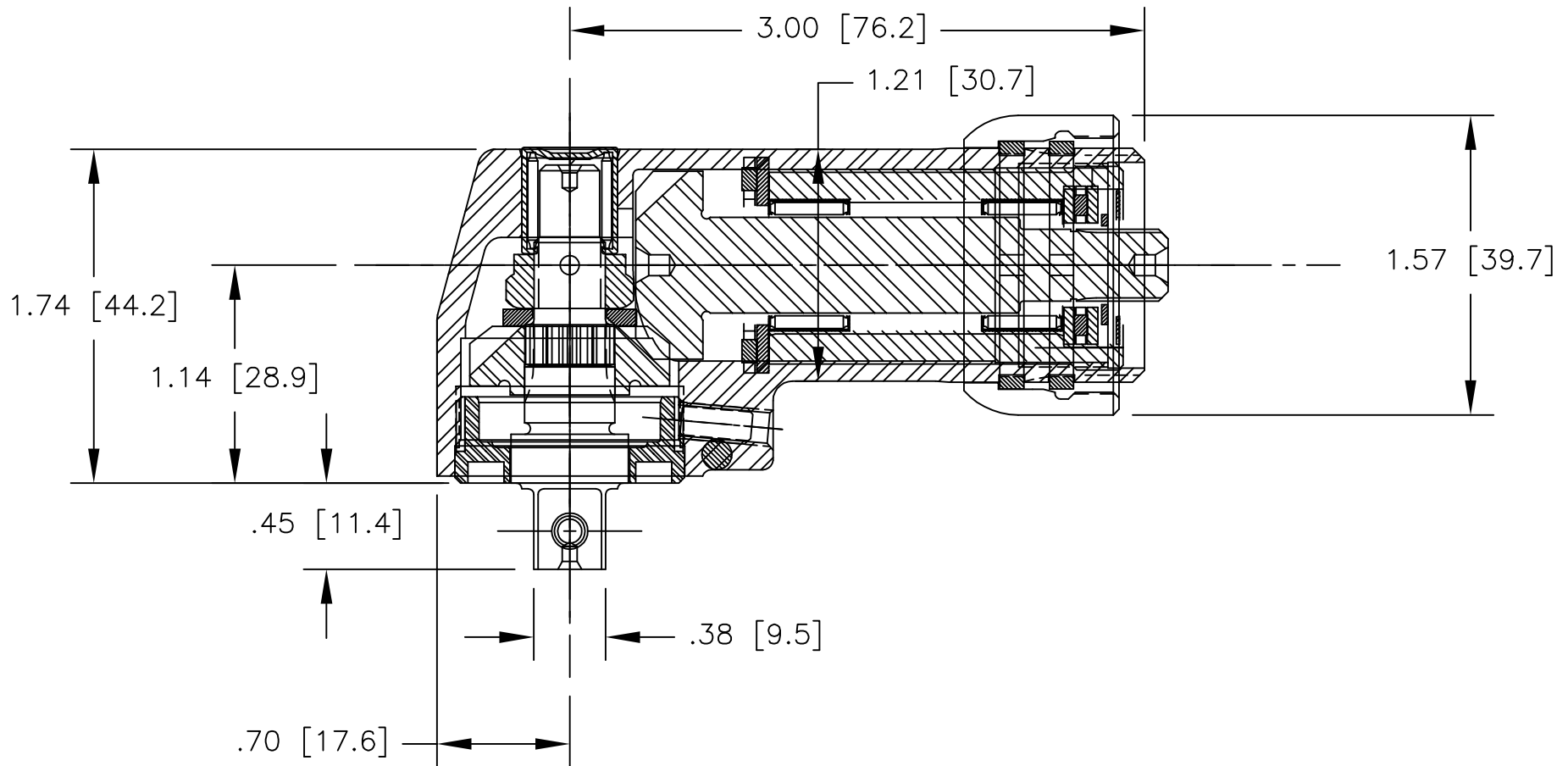


REFERENCE DIMENSIONS
FOR FIT AND FUNCTION



60 NM ANGLEHEAD ASSY.
5000-02323